



Flat Stoves

Mounting & manual of flat stoves

SGTK 6,0 and 7,5 kWh

Mounting consoles	<p>Affix the flat stove mounting console into wall by using relevant screws (included). When using instructed installation the the lower part of the stove will be 15cm from the floor level (giving the required free space of 15cm, recommended between 15-20cm).</p> <p>Please secure proper mounting; wood panelled walls must be reinforced - fixing only to the wall - panel is NOT strong enough (the stove w. stones weights total of ca.100 kgs.).</p>
Minimum clearances	<p>Please leave adequate free space in the front side of the stove to operate the controls. Also note the minimum free clearance measurements from any objects.</p>
Electrical connections	<p><u>Only certified/authorized electrician</u> can do the electrical connections & wirings. Local regulations and laws apply.</p> <p>Connect wire H07RN-F (or similar) and possible heating guiding wire (both with same strenght measurements) into the lower part of the stove (see diagram).</p>
Affixing the frame	<p>Lift the stove frame into the console hooks, bend and lock the hooks. Connect the stove securely with the metal connection stick, lock the nuts.</p> <p>Use the stepless angle adjustment to adjust the angle. Attach the wall supporters into the wall, behind the stove, with screws when necessary. Unscrew and remove the the top part of the stove frame (the one facing to the front in the upper part).</p>
Loading the stone elements	<p>Slide the stone elements one by one into the frame from up to bottom. Make sure that each element is right in the center of the frame. Place the steam element the last (the one with the engraved hole on top of it). The correct position angle is ca. 30 degrees.</p> <p>Quarried stones must be placed in order 6,5,4,3,2 and 1 (the number is indicated at both ends of each individual stone element). After refilling the stones, remount the top part back into the stove frame and place the steam element last.</p>
Important	<p><u>Please do not use the stove without the stones.</u> Only one (1) stove per one sauna room. The stove can be used only in wall mounting and in open space sauna rooms. The stove must <u>not be covered</u> at any time (hazard of fire).</p>
Important	<p><u>The stone elements are hot - touching them, even slightly, by hand or by any other bodyparts can cause severe damage and personal injury!</u></p>
Temperature	<p>Switch the sauna on from the timer switch and adjust the temperature from the temperature knob. The thermostate will maintain the desired temperature inside the sauna room.</p>
Clockwork/timer	<p>The timer is operational for 4 hrs. and has a 8 hr. pre-selection time. The timerknob is also the mains switch (on-/off-switch) of the stove.</p>
Setting the timer	<p>Pre-selection time can be freely set between 1 and 8 hrs. The "on-time" maximum is 4 hrs. after which the device will be automatically switched off and the pre-timer can be used again.</p>



- Pretimer setting* *Should you wish to have the sauna ready, i.e., after six (6) hrs. Turn the timer knob clockwise over the 1-4 hr. area into the preselection area (1-8) at point 5. The timer starts to run, switches the stove on after five (5) hrs., and the sauna will be ready after the desired time (6 hrs.).*
- Pretimer setting...* *When the timer device reaches the actual "on-time" area (1-4 hrs.) the stove will be automatically switched off after the maximum time (4 hrs.). Should you wish to end sooner, please turn the timer into position "0" when desired.*
- Straight on setting* *The timer will switch the stove immediately on when turned from the timer knob into any position btn. 1-4.*
- Temperature control* *The stove is equipped with a temperature control unit which will automatically switch off the current of the stove in case of malfunction/overheating.*
- Overheating control knob* *The stove can be returned into operational status by depressing the overheating control knob, which is situated next to the thermostat knob (to reach this control knob, the lower metal cover of the stove must be dismantled - make sure that the main) fuse of the stove **is disconnected** - otherwise there is a major **electric shock hazard**.*

Separate control device C-150 Sensor placement *When using a separate control device, please follow instructions stated in it's manual. When using the control device C-150 attach the sensor unit to the wall of the sauna room, above the stove on it's centerline 100mm from the ceiling. This measurement is to be followed only when using the separate control device.*

Important ***NB: the cause of the overheating must be clarified before re-switching the stove. NB: make sure that the timer device is operational and really switches the stove off, especially in cases when you have left the stove on to dry-up the sauna.***

Sauna room insulation *Best surface material in sauna room is wooden panelling. Heat insulation in walls and ceilings is recommended. All heat absorbing materials (i.e. brick walls) should be insulated by using aluminium wall paper under the wooden panelling. The bright side of the aluminium paper should face the sauna room.*

Non-insulated surfaces inside the sauna room cause excessive power need: 1 m² equals to add 1,5m³ into the sauna room cubic volume. The walls should be dressed tightly up to the ceiling level, without any airhole space between the wall and the ceiling.

Ventilation/fresh air/airflow *Sufficient airflow inside the sauna room is imperative. The airflow should be on the level of changing the air in the sauna room from 5 to 7 times/hour.*

The fresh air intake tube size is ca. 10cm in diameter and must be brought straight from the outside/outdoors and as close as possible to the stove.

Ventilation/exhaust *The exhaust air must be led outside the sauna room (outdoors) through an outlet pipe or to shower room underneath the door and further outside through an outlet.*

The outlet tube size should be ca. 2 times x the intake tube size.

Important *Please note that the minimum clearance of 1000 mm is mandatory between the stove and any of the house power ventilation intake/exhaust connector, to avoid misreadings of the stove's temperature adjustment.*



Technical dimensions & measurements

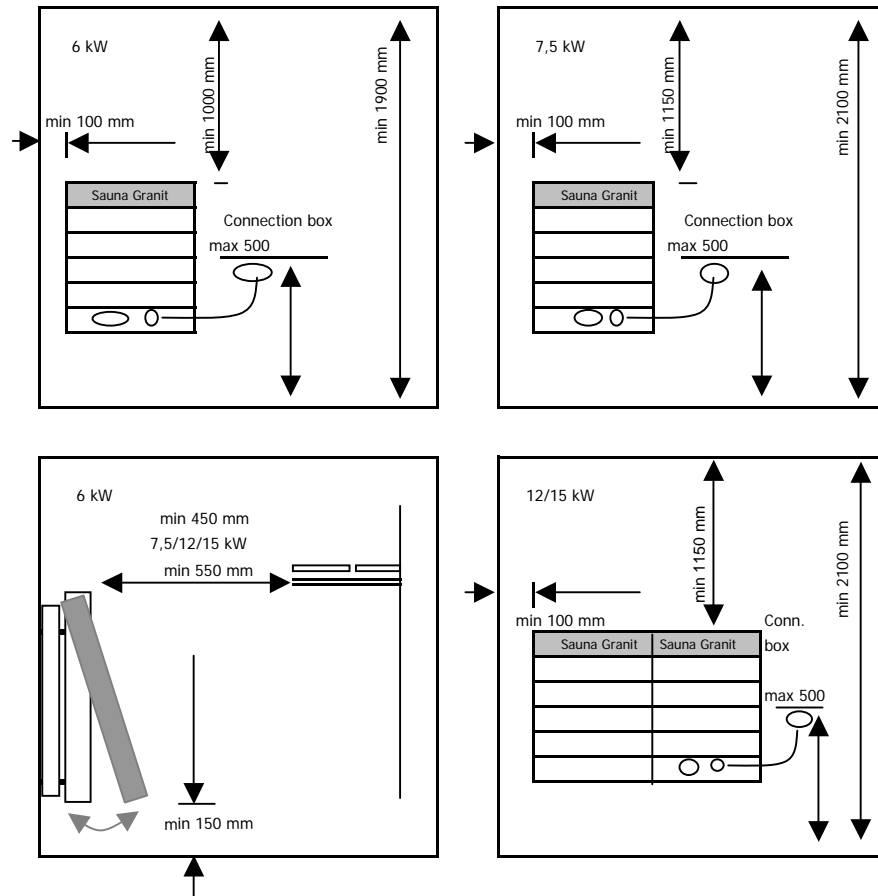
Model	Effect kW	Heat room size - m3	Fuse A	Connection cord, mm2	Min. distance from side to wall., mm	Min. distance. to floor., mm	Min. distance. to ceiling., mm	Min. distance. to front., mm	Min. height of heat room., mm
SGTK 60	6	5...9	3 x 10	5 x 1,5	100	150	1000	450	1900
SGTK 75	7,5	8...12	3 x 16	5 x 2,5	100	150	1150	550	2100
SGTK 12 DUO	12	10...18	3 x 20	5 x 4,0	100	150	1150	550	2100
SGTK 15 DUO	15	14...24	3 x 25	5 x 6,0	100	150	1150	550	2100

Outside dimensions

	SGTK 60	SGTK 75	SGTK DUO
Width, mm	550	550	1120
Height, mm	800	800	800
Depth, mm	110	110	110
Distance from wall, mm	160	160	160

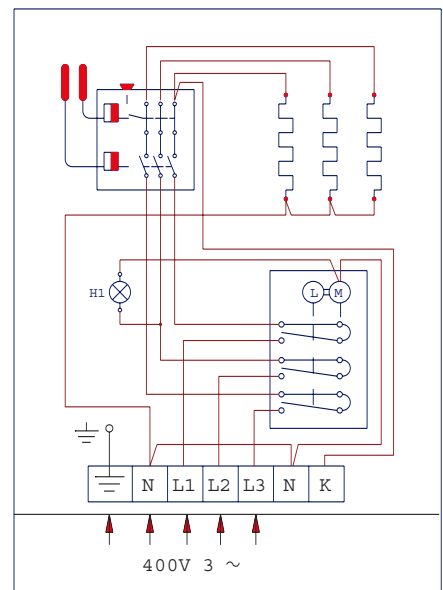
Minimum safety clearances

Pic 1



Mounting diagram

Pic 2





What to do, when:

The Stove does not warm-up?

- +check the timer (is it inside the "switched-on" zone - marking from 1 to 4?).
- check the thermostate - turn the knob counter clockwise so that you hear the "click" when the thermostate meets the actual room temperature. Then turn the knob into desired original temperature position.
- +check the fuselage of the stove and ensure that the coloured knob in the center is in its place. To do this turn out the fuselage by turning the holder counter clockwise (make sure to turn off the current from the mains switch). If the fuse is broken replace with it with a similar one.

Consecutive fuseburn is an indication of severe malfunction in the electrical system of the stove. To fix this you need help of an authorized electrician. Newer fuseboxes have an automatic fuse relay system - turn the fuse back on by clicking the switch to "on"-position. Nevertheless, you still have to find out the reason for fuseburns.

+if there is a separate mains switch for the stove, please check that it is in "on" position

The Stove warms up very slowly?

- + check the fuselage and replace the broken fuse(s).
- + check the stone elements for excessive fragmentation and correct positioning - these can prevent proper airflow inside the stove. The stone elements must be positioned loosely - so that the air has freedom of movement between the stones and heat elements. The stone element check (re-positioning & fragmentation) must be done once a year. Dust & small particals of stone must be cleaned from the bottom of the stove frame.

The timer does not move/the Stove does not switch off?

- + check the proper movement of the timer by turning the knob clockwise/counter clockwise and ensuring that at in any position it does not connect with the metal surface/framework of the stove. Even a slight contact can cause malfunction and/or stop the timer. The proper gap between the timer knob and the surface should be ca. 1-3mm, If the gap is too little/short, pull the knob outwards to adjust it accordingly.
- + check the fuselage and replace the broken fuse(s).

This gives you just guidelines to a checklist whether you can fix the problem by yourself, or you need to call for a professional/authorized help.

You are only allowed to do + marked check-ups. These are NOT covered by the manufacturers guarantee.

The manufactures guarantee is for twelve (12) months, counting from the date of purchase. The guarantee is limited into private-use stoves only.

What to do next, what to observe, how to proceed?

Call for an authorized electrician from the vendor that installed the stove initially, or ask for an authorized electrician from your nearest dealer/vendor shop. The stove is an electrical device, please always take proper care when handling such devices. Do not cast water inside the stove/behind the stone elements. Do not use additional scents/flavors in the sauna casting water - this might cause premature wear & tear, and color changes of the stone elements.

SAUNA-EUROX
SAUNA PRODUCTS

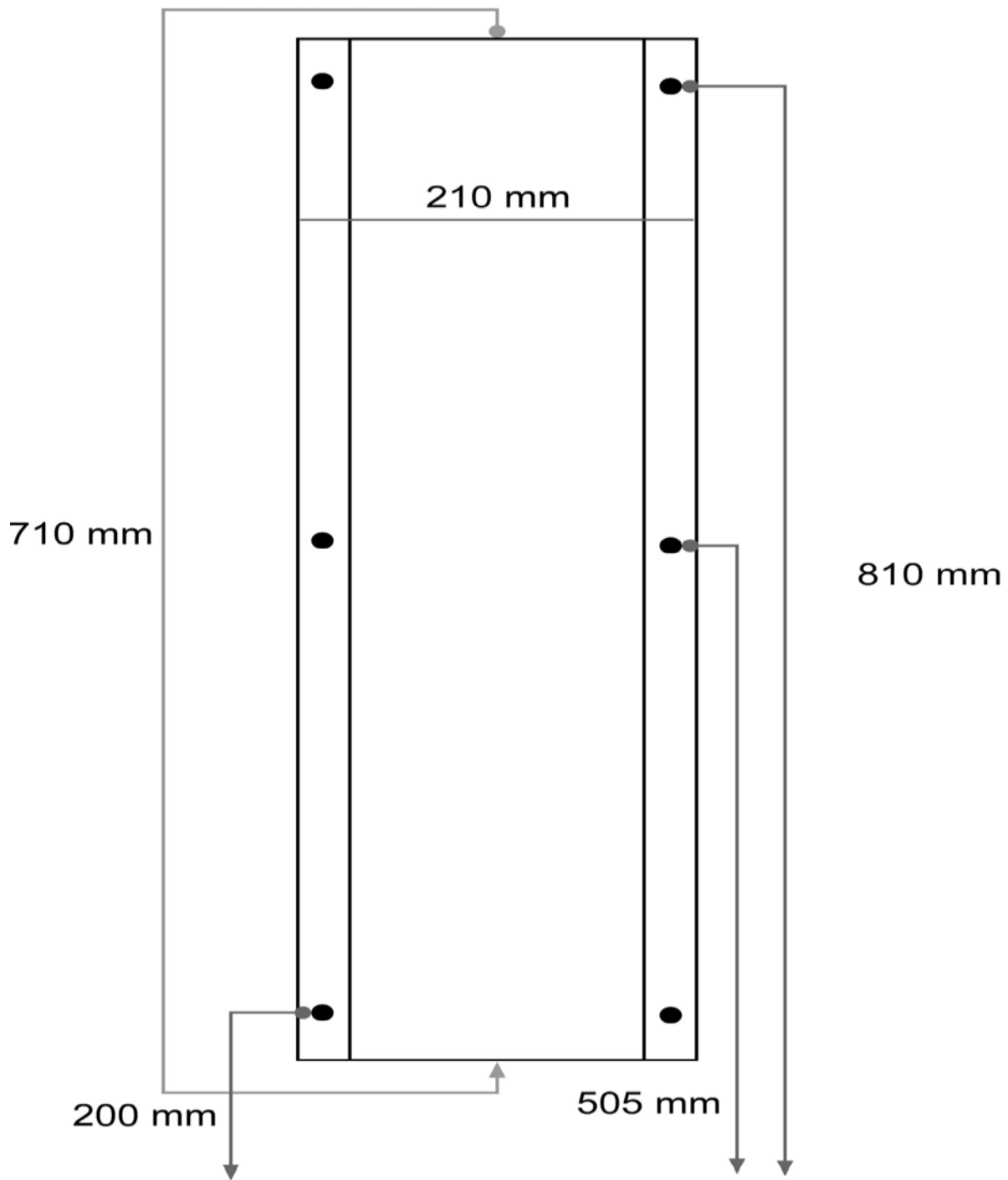
Sauna-Eurox Oy

Suontaantie 2 B, FI-29100 LUVIA, FINLAND
tel. +358-2-6349 600, fax +358-2-634 9601
info@saunagranit.com



FLAT STOVES SGTK 60 AND 75

Mounting console diagram

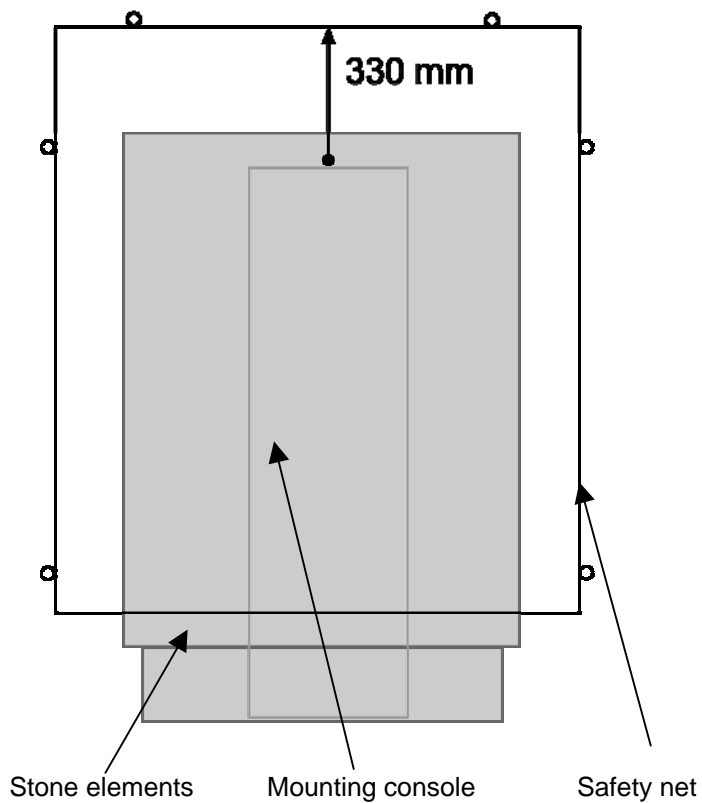


When affixed with am. measurements the the lower part of the stove is 150mm from the floor level.



SGTK 60 ja 75 SAFETY NET INSTALLATION

Distance from the upper part of the mounting console to the upper part of the safety net is 330mm



Center the safety net right to middle of the stove.
Please guard the 330mm measurement from the mounting console to the upper part of the safety net.

The distance from the front part of the safety net to the wall is 370mm.



Heat guard installation
for SGK -series stoves

Heat guard is recommended to be used in cases that the stove is regularly on for extended times.

1. Remove the plastic wraps around the heat guard device
2. Push the heat guard device into the stove's standard heat directing guard
3. Push the adjusting notch of the heat guard all the way into the corresponding slide (see pic.)

